

Model	Fiery XJ Series (XJ170R)	Volt/Hz	Date of Modification	Serial Number
Modified Article	Parts Catalog			
Reason for Modification	Parts Catalog Correction			

Please correct your parts catalog as follows.

1. The following parts are newly registered as service parts.

New P/N	Description	Q'ty Used	Parts Catalog	
			Index No.	Page
A724 5061	Power Switch	1	21	3
A724 5062	XJ Chassis Cover	1	23	3
A724 5063	Top/Base Cover	1	24	3
A724 5064	XJ Stand	1	25	3
A724 5065	Front Bezel	1	26	3
A724 5066	XJ 170 Jewel	1	28	3
A724 5067	Fiery Jewel	1	27	3
A724 5076	PAPST Multifan 4312M	1	22	3
A724 5083	Media Pack - English	1	29	3
A724 5089	User Manual - English	1	30	3
A724 5102	User Manual - French	1	30	3
A724 5108	User Manual - German	1	30	3
A724 5090	Networking Guide - English	1	31	3
A724 5103	Networking Guide - French	1	31	3

New P/N	Description	Q'ty Used	Parts Catalog	
			Index No.	Page
A724 5109	Networking Guide - German	1	31	3
A724 5091	Color Printing Guide - English	1	32	3
A724 5104	Color Printing Guide - French	1	32	3
A724 5110	Color Printing Guide - German	1	32	3
A724 5143	Mother Board Fuse (2pcs/set)	1	33	3
A724 5081	Disk Pack User S/W & Adobe Driver (Mac/Win)	1	34	3
A724 5099	Disk Pack User S/W & Adobe Driver (Mac/Win) - French	1	34	3
A724 5105	Disk Pack User S/W & Adobe Driver (Mac/Win) - German	1	34	3

2. Please correct the description of the following parts.

Incorrect			Correct		
P/N	Description	Index No.	P/N	Description	Index No.
A583 6010	Power Supply Cord - UK	12	A583 6010	Power Supply Cord - International	12
A583 6011	Power Supply Cord - International	12	A583 6011	Power Supply Cord - UK	12

3. The following parts have become RMA parts.

Incorrect			Correct		
P/N	Description	Index No.	P/N	Description	Index No.
A724 5093	1GB SCSI HDD W/O S/W	6	A724 5093	1GB SCSI HDD W/O S/W	#6
A724 5094	2GB SCSI HDD W/O S/W	6	A724 5094	2GB SCSI HDD W/O S/W	#6
A724 5078	Video Interface Harness	14	A724 5078	Video Interface Harness	#14

M. Iwasa, Manager
Technical Support Department

MModel Name	V/Hz	Destination	Code	Serial Number
Fiery XJ170R	115V/60Hz	USA	A724-05	B
Fiery XJ170R	230V/50Hz	Europe, etc.	A724-06	B
Fiery XJ300R	115V/60Hz	USA	A724-08	B
Fiery XJ300R	230V/50Hz	Europe, etc.	A724-09	B
XJR1 Conversion Kit	115V/230V	USA/Europe,etc.	A724-12	-

Model	Fiery XJ Sereis (XJ170R)	Volt/Hz	Date of Modification	Serial Number
Modified Article	Motherboard			
Reason for Modification	To accomodate a new feature in the future			

To accomodate a new feature expected with the future system software release, the motherboard has been changed.

Old P/N	New P/N	Description	Q'ty Used	Inter-changeability	Parts Catalog	
					Index No.	Page
A724 5068	A724 5142	Motherboard W/O SIMMS	1→ 1	O/O	1	3

M. Iwasa, Manager
 Technical Support Department

MModel Name	V/Hz	Destination	Code	Serial Number
Fiery XJ170R	115V/60Hz	USA	A724-05	B07241
Fiery XJ170R	230V/50Hz	Europe, etc.	A724-06	B07241
Fiery XJ300R	115V/60Hz	USA	A724-08	B
Fiery XJ300R	230V/50Hz	Europe, etc.	A724-09	B
XJR1 Conversion Kit	115V/230V	USA/Europe,etc.	A724-12	-

Model	Fiery XJ Series	Volt/Hz	Date of Modification	Serial Number
Modified Article				
Reason for Modification	System software upgrade			

Due to the upgrade of the system software from version 1.03 to version 1.2, the following part numbers have been changed.

Old Parts No.	New Parts No.	Description	Q'ty Used Old→New	Parts Catalog	
				No.	Page
A7245092	A7245150	XJ-R/R1 User Software CD ROM V1.2	1 → 1	17	3
A7245081	A7245158	Disk Pack User Software and Adobe Drive (Mac / Win)	1 → 1	34	3
A7245111	A7245159	XJ User Software Disk Pack (Mac / Win)	1 → 1	15	3
A7245084	A7245147	Operating Instructions - English	1 → 1	18	3
A7245099	A7245161	Disc Pack User Software and Adobe Driver (Mac / Win) - French	1 → 1	34	3
A7245100	A7245163	XJ User Software Disk Pack (Mac / Win) - French	1 → 1	15	3
A7245105	A7245164	Disk Pack User Software and Adobe Driver (Mac / Win) - German	1 → 1	34	3
A7245106	A7245166	XJ User Software Disk Pack (Mac / Win) - German	1 → 1	15	3
A7245095	A7245152	XJ-R System Software CD ROM V1.2	1 → 1	19	3

M. Iwasa, Manager
 Technical Support Department

Model Name	V/Hz	Destination	Code	Serial Number
Fiery XJ170R	115V/60Hz	USA	A724-05	B11212
Fiery XJ170R	230V/50Hz	Europe, etc.	A724-06	B11212
Fiery XJ300R	115V/60Hz	USA	A724-08	From First production
Fiery XJ300R	230V/50Hz	Europe, etc.	A724-09	From First production
XJR1 Conversion Kit	115V/230V	USA/Europe,etc.	A724-12	—

Model	Fiery XJ Series	Volt/Hz	Date of Modification	Serial Number
Modified Article				
Reason for Modification	Parts Catalog Correction			

Incorrect Parts No.	Correct Parts No.	Description	Q'ty Used Old→New	Inter-changeability	Parts Catalog	
					No.	Page
A7245074	A7245160	CD ROM Drive - External	1 → 1	O/O	10	3

M. Iwasa, Manager
 Technical Support Department

Model Name	V/Hz	Destination	Code	Serial Number
Fiery XJ170R	115V/60Hz	USA	A724-05	/
Fiery XJ170R	230V/50Hz	Europe, etc.	A724-06	
Fiery XJ300R	115V/60Hz	USA	A724-08	
Fiery XJ300R	230V/50Hz	Europe, etc.	A724-09	
XJR1 Conversion Kit	115V/230V	USA/Europe,etc.	A724-12	

Model	Fiery XJ Series	Volt/Hz	Date of Modification	Serial Number
Modified Article	SCSI Terminator			
Reason for Modification	To prevent data transmission error			

To minimize the possibility of data transmission errors, a SCSI terminator has been added as an accessory. Please install it on the SCSI port when no device is connected.

New Parts No.	Description	Q'ty Used Old→New	Parts Catalog	
			No.	Page
A7245157	SCSI Terminator	0 → 1	35	3

M. Iwasa, Manager
 Technical Support Department

Model Name	V/Hz	Destination	Code	Serial Number
Fiery XJ170R	115V/60Hz	USA	A724-05	B11212
Fiery XJ170R	230V/50Hz	Europe, etc.	A724-06	B11212
Fiery XJ300R	115V/60Hz	USA	A724-08	From First production
Fiery XJ300R	230V/50Hz	Europe, etc.	A724-09	From First production
XJR1 Conversion Kit	115V/230V	USA/Europe,etc.	A724-12	—

Model	Fiery XJ Series	Volt/Hz	Date of Modification	Serial Number
Modified Article	Hard Disk Drive			
Reason for Modification	Vendor change			

Due to a vendor change, the part number of the hard disk drive has been changed. The capacity of the new hard disk drive is 850MB.

Old P/N	New P/N	Description	Q'ty Used	Inter-change-ability	Parts Catalog	
					Index No.	Page
A7245097	A7245171	540MB SCSI HDD W/O S/W: 10007307	1 → 0		6	1
		850MB SCSI HDD W/O S/W: 10007531	0 → 1	O/O	6	1



T. Inoue, General Manager
1st Field Information Dept. QAC

Model Name	V/Hz	Destination	Code	Serial Number
Fiery XJ170R	115V/60Hz	USA	A724-05	B16471
Fiery XJ170R	230V/50Hz	Europe, etc.	A724-06	B16471
Fiery XJ300R	115V/60Hz	USA	A724-08	B16705
Fiery XJ300R	230V/50Hz	Europe, etc.	A724-09	B16705
XJR1 Conversion Kit	115V/230V	USA/Europe,etc.	A724-12	

Model: Fiery XJ Series(XJ80e only)		Date: 31-Mar-97	No: 7
Modified Article: Parts Catalog		Prepared by: N.Kaiya	
From: QAC 1st Field Information Dept.		Checked by: T. Inoue <i>T. Inoue</i>	
Reason for Modification:	<input checked="" type="checkbox"/> Parts catalog correction	<input type="checkbox"/> Vendor change	<input type="checkbox"/> To meet standards
	<input type="checkbox"/> To facilitate assembly	<input type="checkbox"/> To improve reliability	()
	<input type="checkbox"/> Part standardization	<input type="checkbox"/> Other	

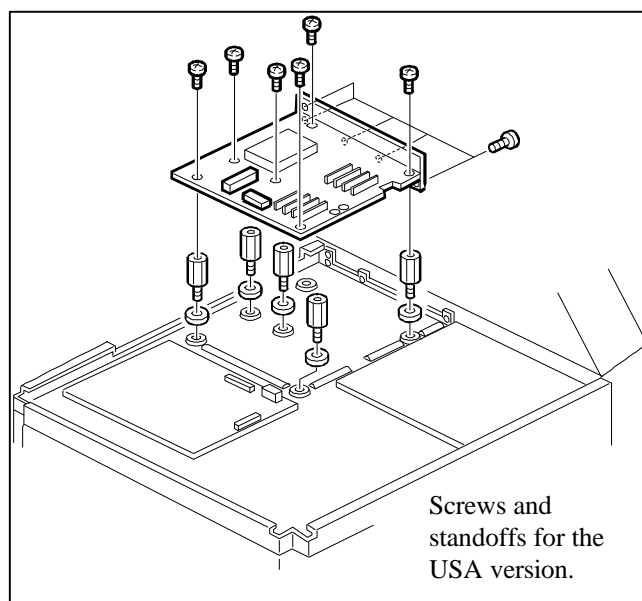
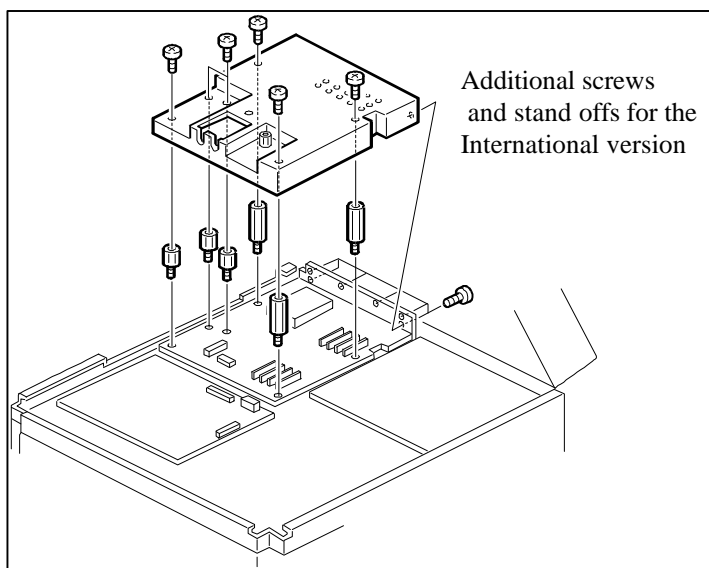
Old part number	New part number	Description	Qty	Int	Destination	Page	Index
A7245356	A7245398	Screws and Standoffs:10007781	1-1		-43	3	4
A7245356	A7245399	Screws and Standoffs:10007782	1-1		-44	3	4
A7245364		Disk Pack - English	1-		-43,-44	3	9
	A7245376	Mac Disk Pack English:10011587	-1		-43,-44	3	9
	A7245377	Windows Disk Pack English:10011588	-1		-43,-44	3	9

Please make the following correction in your parts catalog.

The screws and standoffs are different between the USA version model (-43) and the International version model (-44). This is because the International version requires installation of the EXU Shield Cover.

For the Disk Pack, part numbers have been separately assigned for the Mac Disk Pack and the Windows Disk Pack.

Also, please correct the index numbers in the illustration in your parts catalog. Please exchange index no.8 and index no.9.



Model: Fiery XJ Series (XJ80e only)		Date: 31-May-97	No: 8
Modified Article: Media pack, etc.		Prepared by: N.Kaiya	
From: QAC 1st Field Information Dept.			
Reason for Modification:	<input type="checkbox"/> Parts catalog correction <input type="checkbox"/> Vendor change <input type="checkbox"/> To meet standards <input type="checkbox"/> To facilitate assembly <input type="checkbox"/> To improve reliability <input type="checkbox"/> Part standardization <input checked="" type="checkbox"/> Other		

The system software of the Fiery XJ80e has been upgraded to version 1.11. The major changes for the new version are as follows.

1. Some minor bugs are fixed.
2. Image compression has been fine-tuned to improve the gradation of the image data.
3. CD-ROM R3.1 Color Files is added for the USA version model.

Old Part Number	New Part Number	Description	Q'ty	Int.	Destination	Page	Index
A7245352	A7245413	Media Pack English	1-1	X/O	-44,-54,-55	3	7
A7245363	A7245402	Doc Pack English	1-1	X/O	-44,-54,-55	3	8
A7245376	A7245414	Mac Disk Pack English	1-1	X/O	-44,-54,-55	3	9
A7245377	A7245415	Windows Disk Pack English	1-1	X/O	-44,-54,-55	3	9
A7249600	A7249603	Fiery XJ80e System CD	1-1	X/O	-44,-54,-55	3	10
A7249850	A7249860	XJ80e Service Manual - E	1-1	X/O	-44,-54,-55	3	13
	A7245404	CD-ROM R3.1 Color Files	0-1		-54	3	14

Model Name	V/Hz	Destination	Code	Serial Number
Fiery XJ170	115V/60Hz	USA	A724-05	_____
Fiery XJ170	230V/50Hz	Europe, etc.	A724-06	_____
Fiery XJ300	115V/60Hz	USA	A724-08	_____
Fiery XJ300	230V/50Hz	Europe, etc.	A724-09	_____
Fiery XJ170plus	115V/60Hz	USA	A724-15	_____
Fiery XJ170plus	230V/50Hz	Europe, etc.	A724-16	_____
Fiery XJ300plus	115V/60Hz	USA	A724-17	_____
Fiery XJ300plus	230V/50Hz	Europe, etc.	A724-18	_____
Fiery XJ80e 32MB	230V/50Hz	Europe, etc.	A724-44	E04997
Fiery XJ80e 64MB	115V/60Hz	USA	A724-54	E04570
Fiery XJ80e 64MB	230V/50Hz	Europe, etc.	A724-55	E04997

Model: Fiery XJ Series (XJ300 plus only)		Date: 15-Aug-97	No: 9
Modified Article: Motherboard		Prepared by: N.Kaiya	
From: QAC 1st Field Information Dept.			
Reason for Modification:	<input type="checkbox"/> Parts catalog correction	<input type="checkbox"/> Vendor change	<input type="checkbox"/> To meet standards ()
	<input type="checkbox"/> To facilitate assembly	<input type="checkbox"/> To improve reliability	
	<input type="checkbox"/> Part standardization	<input checked="" type="checkbox"/> Other	

The motherboard has been changed on the Fiery XJ300 plus. On the new motherboard, the CPU has been changed from R4700 to R5000. The system software has been changed from v3.0 to v3.011 to enable the operation of the new CPU. The interchangeability of the motherboard is x/x. The old motherboard is still available as a service part.

Old Part Number	New Part Number	Description	Q'ty	Int.	Page	Index
A7245180	A7245422	Motherboard w/o SIMMs	1-1	x/x	3	1
A7249510		XJ-R/R2 System Software CD ROM V3.0	1-	x/	3	27
	A7249520	XJ-R/R2 System Software CD ROM V3.011	-1	/o	3	27

Model Name	V/Hz	Destination	Code	Serial Number
Fiery XJ170	115V/60Hz	USA	A724-05	_____
Fiery XJ170	230V/50Hz	Europe, etc.	A724-06	_____
Fiery XJ300	115V/60Hz	USA	A724-08	_____
Fiery XJ300	230V/50Hz	Europe, etc.	A724-09	_____
Fiery XJ170plus	115V/60Hz	USA	A724-15	_____
Fiery XJ170plus	230V/50Hz	Europe, etc.	A724-16	_____
Fiery XJ300plus	115V/60Hz	USA	A724-17	B57034
Fiery XJ300plus	230V/50Hz	Europe, etc.	A724-18	B57034
Fiery XJ80e 32MB	230V/50Hz	Europe, etc.	A724-44	_____
Fiery XJ80e 64MB	115V/60Hz	USA	A724-54	_____
Fiery XJ80e 64MB	230V/50Hz	Europe, etc.	A724-55	_____

Model: Fiery XJ Series (XJ80e only)		Date: 15-Nov-97	No: 10
Modified Article: Motherboard		Prepared by: N.Kaiya	
From: QAC Field Information Dept.			
Reason for Modification:	<input type="checkbox"/> Parts catalog correction <input type="checkbox"/> Vendor change <input type="checkbox"/> To meet standards <input type="checkbox"/> To facilitate assembly <input type="checkbox"/> To improve reliability () <input type="checkbox"/> Part standardization <input checked="" type="checkbox"/> Other		



The boot ROM on the XJe Controller Board has been updated to v.1.2 to enable reformatting of the corrupted HDD. Also, the Controller board and the Face Plate have been supplied separately.

Old Part Number	New Part Number	Description	Q'ty	Int.	Page	Index
A7245353	A7245407	XJ80e Controller Board	1-1	x/o	3	1
	A7245408	Face Plate	0-1		3	15

Model Name	V/Hz	Destination	Code	Serial Number
Fiery XJ170	115V/60Hz	USA	A724-05	_____
Fiery XJ170	230V/50Hz	Europe, etc.	A724-06	_____
Fiery XJ300	115V/60Hz	USA	A724-08	_____
Fiery XJ300	230V/50Hz	Europe, etc.	A724-09	_____
Fiery XJ170plus	115V/60Hz	USA	A724-15	_____
Fiery XJ170plus	230V/50Hz	Europe, etc.	A724-16	_____
Fiery XJ300plus	115V/60Hz	USA	A724-17	_____
Fiery XJ300plus	230V/50Hz	Europe, etc.	A724-18	_____
Fiery XJ80e 32MB	230V/50Hz	Europe, etc.	A724-44	E04997
Fiery XJ80e 64MB	115V/60Hz	USA	A724-54	E04570
Fiery XJ80e 64MB	230V/50Hz	Europe, etc.	A724-55	E04997

Model: Fiery XJ Series		Date: 31-Dec-97	No: 11
Modified Article: Mother Board		Prepared by: N.Kaiya	
From: QAC Field Information Dept.			
Reason for Modification:	<input checked="" type="checkbox"/> Parts catalog correction	<input type="checkbox"/> Vendor change	<input type="checkbox"/> To meet standards
	<input type="checkbox"/> To facilitate assembly	<input type="checkbox"/> To improve reliability	()
	<input type="checkbox"/> Part standardization	<input type="checkbox"/> Other	

Old part number	New part number	Description	Destination	Qty	Int	Page	Index
A7245180	A7245424	Motherboard w/o SIMMs	A724-15,-16,-62,-63,-64,-65	1→1	o/o	3	1

NOTE: The motherboard with part number A7245424 has an R4700 CPU. The motherboard with part number A7245422 has an R5000 CPU.

Model: Fiery XJ Series (XJ80e only)		Date: 15-Dec-97	No: 12
Modified Article: Media Pack : English		Prepared by: N.Kaiya	
From: QAC Field Information Dept.			
Reason for Modification:	<input type="checkbox"/> Parts catalog correction <input type="checkbox"/> Vendor change <input type="checkbox"/> To meet standards <input type="checkbox"/> To facilitate assembly <input type="checkbox"/> To improve reliability <input type="checkbox"/> Part standardization <input checked="" type="checkbox"/> Other		

The XJ 80e Media Pack (English) has been modified to include the v1.11 User CD and the Windows NT v4.0 PPD Update Floppy Disk. The Windows NT v4.0 PPD Update Floppy Disk contains modified Windows NT v4.0 PPDs for French, Italian, and Spanish.

Old part number	New part number	Description	Destination	Qty	Int	Page	Index
A7245413	A7245426	XJ80e Media Pack:English	A724-43,-44,-54,-55	1→1	x/o	3	7

Model Name	V/Hz	Destination	Code	Serial Number
Fiery XJ170	115V/60Hz	USA	A724-05	_____
Fiery XJ170	230V/50Hz	Europe, etc.	A724-06	_____
Fiery XJ300	115V/60Hz	USA	A724-08	_____
Fiery XJ300	230V/50Hz	Europe, etc.	A724-09	_____
Fiery XJ170plus	115V/60Hz	USA	A724-15	_____
Fiery XJ170plus	230V/50Hz	Europe, etc.	A724-16	_____
Fiery XJ300plus	115V/60Hz	USA	A724-17	_____
Fiery XJ300plus	230V/50Hz	Europe, etc.	A724-18	_____
Fiery XJ80e 32MB	115V/60Hz	USA	A724-43	E09975
Fiery XJ80e 32MB	230V/50Hz	Europe, etc.	A724-44	E09975
Fiery XJ80e 64MB	115V/60Hz	USA	A724-54	E09975
Fiery XJ80e 64MB	230V/50Hz	Europe, etc.	A724-55	E09975

Model: Fiery XJ Series (XJ80e only)		Date: 15-Dec-97	No: 13
Modified Article: Hard Disk Drive		Prepared by: N.Kaiya	
From: QAC Field Information Dept.			
Reason for Modification:	<input type="checkbox"/> Parts catalog correction <input type="checkbox"/> Vendor change <input type="checkbox"/> To meet standards <input type="checkbox"/> To facilitate assembly <input type="checkbox"/> To improve reliability () <input checked="" type="checkbox"/> Part standardization <input type="checkbox"/> Other		

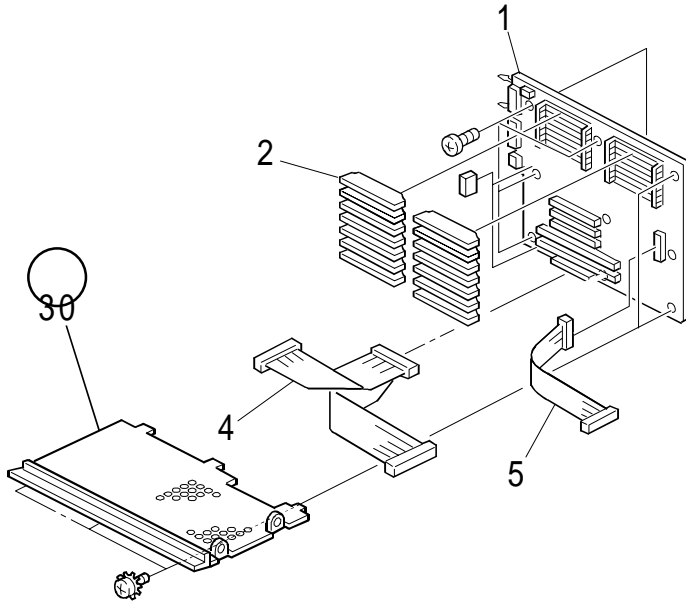
To standardize the Hard Disk Drive with the other XJ models, the HDD and its accessory kit are now separately supplied. The accessory kit contains two harnesses, four standoffs and four screws.

Old part number	New part number	Description	Destination	Qty	Int	Page	Index
A7245350	A7245094	2.1G SCSI HDD w/o s/w	A724-43,-44,-54,-55	1→1	o/o	3	2
	A7245436	XJ80e HDD Accessory Kit	A724-43,-44,-54,-55	0→1		3	15

Model: Fiery XJ Series (XJ Plus V3.1 only)		Date: 15-Sep-98	No.: 14
Modified Article: Parts Catalog Correction		Prepared by: Y. Sasaki	
From: QAC Field Information Dept.			
Reason for Modification:	<input checked="" type="checkbox"/> Parts catalog correction	<input type="checkbox"/> Vendor change	<input type="checkbox"/> To meet standards ()
	<input type="checkbox"/> To facilitate assembly	<input type="checkbox"/> To improve reliability	
	<input type="checkbox"/> Part standardization	<input type="checkbox"/> Other	

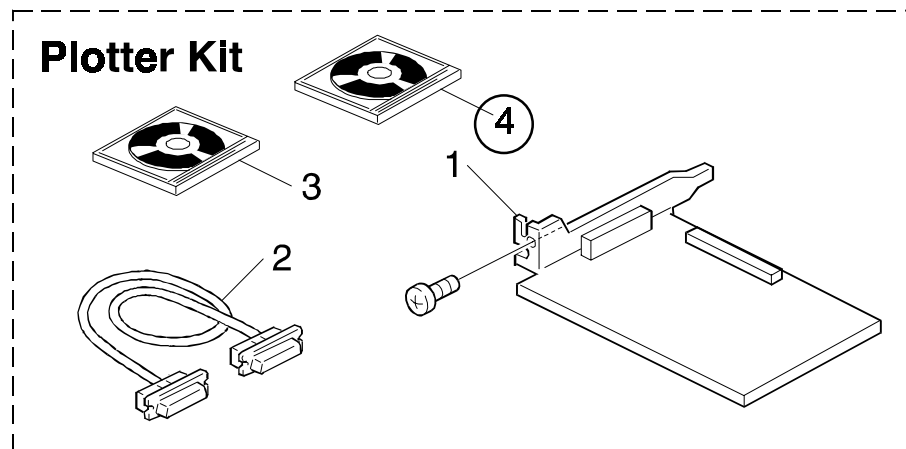
Please add the following part and the illustrations to your parts catalog (pages 2 and 3).

Old P/N	New P/N	Description	Q'ty Used	Parts Catalog		Notes
				Page	Index No.	
	A7245295	Isolation Plate	1	3	30	-62, -63, -64, -65, -66, -67 only



Please add the following part and the illustrations to your parts catalog (page 8 and 9).

Old P/N	New P/N	Description	Q'ty Used	Parts Catalog		Notes
				Page	Index No.	
	A7245347	CD-ROM Plotter Color Files	1	9	4	-70 only



Model: Fiery XJ Series (XJ Plus V3.1 only)

Date: 15-Sep-98

No.: 14

Please correct the following table in your parts catalog (page 3).

Wrong

Memory Q'ty (Initial Shipment)

	XJ170	XJ250	XJ325
A7245072	4	4	4
A7245071	4	8	
A7245120			4
Total	48MB	80MB	144MB

Correct

Memory Q'ty (Initial Shipment)

	XJ170	XJ250	XJ325
A7245072	4		
A7245071	8		
A7245120		4	8
Total	80MB	128MB	256MB

Model: Fiery XJ Series		Date: 15-Oct-99	No.: MA724015
Modified Article: HDD		Prepared by: N. Kaiya	
From: Technical Service Dept., GTS Division			
Reason for Modification:	<input type="checkbox"/> Parts catalog correction	<input type="checkbox"/> Vendor change	<input type="checkbox"/> To meet standards ()
	<input type="checkbox"/> To facilitate assembly	<input type="checkbox"/> To improve reliability	
	<input type="checkbox"/> Part standardization	<input checked="" type="checkbox"/> Other	

The HDD for the Fiery XJ Series (including Fiery BP100) has been changed to a 4.5GB HDD since the 2.1GB HDD is no longer available from the vendor. The interchangeability is O/O, however, it is necessary to exchange the EPROM when changing the old HDD to a new HDD.

Old part number	New part number	Description	Q'ty	Int	Page	Index	Note
A7245094	A7245450	4.5GB SCSI HDD W/O S/W:45005254	O/O	1	3	6	

Model: Fiery XJ Series		Date: 13-Mar-00	No.: MA724016
Modified Article: 4.5GB HDD		Prepared by: N. Kaiya	
From: Technical Services Dept., GTS Division			
Reason for Modification:	<input type="checkbox"/> Parts catalog correction <input type="checkbox"/> To facilitate assembly <input type="checkbox"/> Part standardization	<input type="checkbox"/> Vendor change <input type="checkbox"/> To improve reliability <input checked="" type="checkbox"/> Other	<input type="checkbox"/> To meet standards ()

Old part number	New part number	Description	Q'ty	Int	Page	Index	Note
A7245450	A7245461	4.5GB SCSI HDD W/O S/W 10007791	1-1	O/O	3	2	
	A7245463	BOOT ROM V1.2 45008864	1		3	16	

To facilitate servicing in the field, a HDD kit for the XJ80e has been registered. This kit contains the necessary components such as cables, screws, standoffs, and the V1.2 boot ROM which is necessary to support the 4.5GB HDD. The V1.2 Boot ROM has also been registered as a individual service part.

The HDD kit A7245450 remains available for other XJ series models.